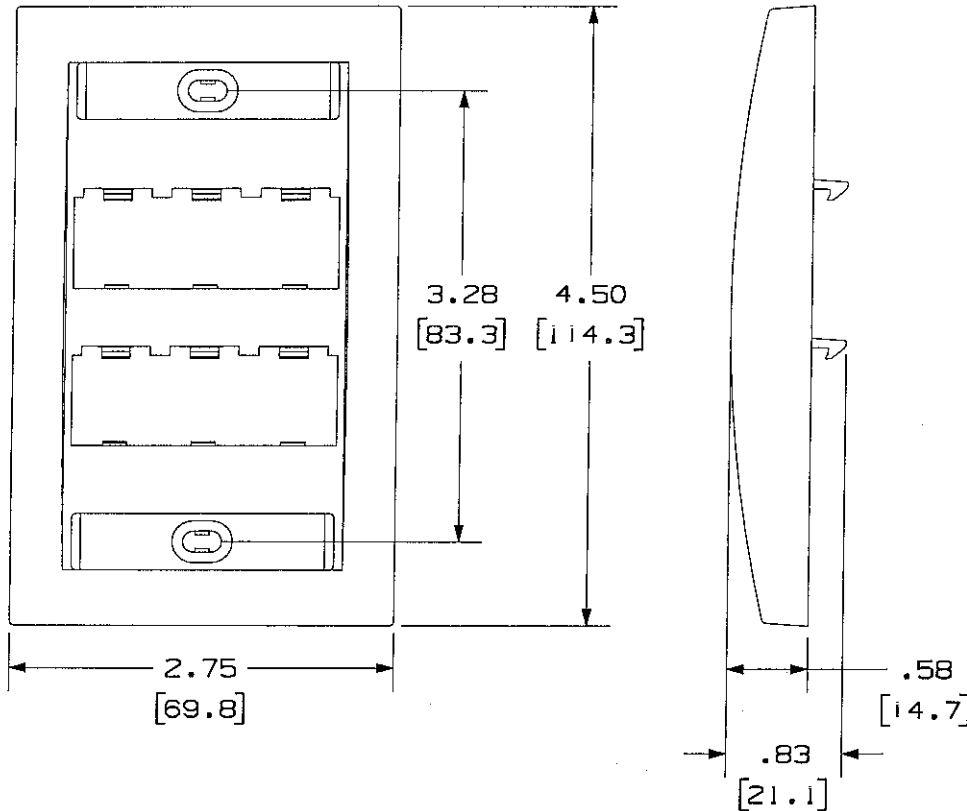


THIS COPY IS PROVIDED ON A RESTRICTED BASIS AND IS NOT TO BE USED IN ANY WAY DETRIMENTAL TO THE INTERESTS OF PANDUIT CORP.

PANDUIT P/N	WEIGHT
CFPE6**Y	.67 LB/10 PCS 303.9 g/10 PCS



NOTES:

- SEE CURRENT CATALOG FOR ADDITIONAL PART NUMBER SUFFIXES TO INDICATE COLOR AND OR PACKAGE QUANTITY.
- SEE CATALOG FOR COMPLETE LIST OF PARTS APPLICABLE FOR USE WITH THIS PART.
- DIMENSIONS IN () ARE IN METRIC.
- PART INCLUDES:
 - 1- FACEPLATE
 - 2- LABEL
 - 2- LABEL COVER
 - 2- MOUNTING SCREW

NETWORK SYSTEMS

MAY 25 2006

ENGINEERING DEPT

DRAWING FILENAME		M02479EM_DC119_00A.PRT	SIZE	A
MINI-COM 6 POSITION EXECUTIVE SERIES FACEPLATE CUSTOMER DRAWING				
PANDUIT TM CORP. TINLEY PARK, ILL 60477		I.I. NUMBER	N/A	
ALL DIMENSIONS ARE GIVEN IN INCHES, UNLESS OTHERWISE SPECIFIED. DIMENSIONAL TOLERANCES ARE: (.X) ± (.XXX) ± .01(.3) (.XX) ± .03(.8) ANGLES ±		PRODUCT SPEC	N/A	
THIRD ANGLE PROJECTION		WORK INSTRUCTION	N/A	
DRAWN BY JsP		SCALE	NONE	
DATE 4-26-06		MATERIAL:	ABS	
REV		DESCRIPTION	PART NO.	CFPE6**Y
4-26-06	JsP	RELEASED TO PRODUCTION	DRAWING NO.	02479-119
ECN	R	CUST	SUP	OTH

REV	DATE	BY	CHK	DESCRIPTION	ECN	R	CUST	SUP	OTH
R	4-26-06	JsP	MJO	RELEASED TO PRODUCTION	02479-119				